



10th Jezzine Rally

July 15th and 17th, 2022

SUPPLEMENTARY REGULATIONS



The Automobile and Touring Club of Lebanon
P.O. Box 115 - Jounieh / Lebanon
Tel.: +961-9-640220 / 640567 / 932020
Fax: +961-9-640579 / 934662
e-mail: atcl@inco.com.lb
web site: www.atclmotorsports.com

INDEX

Art. 1 - Introduction	6
Art. 1.1 - Preamble	6
Art. 1.2 - Length of Special Stages and Road surface	6
Art. 1.3 - Overall SS distance and total distance of the itinerary	6
Art. 2. - Organization	6
Art. 2.1 - Championships and titles for which the rally counts	6
Art. 2.2 - Approvals	7
Art. 2.3 - Organizer's name, address and contact details	7
Art. 2.4 - Organizing Committee (Alphabetical order)	7
Art. 2.5 - Stewards of the Meeting	7
Art. 2.6 - ASN Observer / ASN Safety Delegate	7
Art. 2.7 - Senior Officials	7
Art. 2.8 - Location of Rally HQ and contact details	8
Art. 2.9 - Location of Holding Area and Time Limit	8
Art. 2.10 - Location of Service Park(s)	8
Art. 2.11- Official Notice Board / Digital Notice Board	8
Art. 3 - Program in chronological order and locations	9
Art. 4 - Entries	9
Art. 4.1 - Closing date for entries	9
Art. 4.2 - Entry procedure	9
Art. 4.3 - Number of competitors accepted and vehicle classes	10
Art. 4.4 - Entry fees and entry packages	11
Art. 5 - Insurance Cover	13
Art. 6 - Advertising and Identification	13
Art. 6.1 - Advertising	13
Art. 6.2 - Obligatory organizer's advertising	13
Art. 6.3 - Optional organizer's advertising	14
Art. 6.4 - Identification numbers	14
Art. 7 - Tires	14
Art. 7.1 - Regulations regarding tires which may be used during the rally	14
Art. 7.2 - Tires for use on Reconnaissance	14
Art. 8 - Fuel	14
Art. 8.1 - Fuel type	14
Art. 8.2 - Fuel Ordering procedure	15
Art. 8.3 - Fuel dispenses	15
Art. 8.4 - General provisions	15
Art. 8.5 - Closing date for ordering fuel	15
Art. 9 - Reconnaissance of Special Stages	16
Art. 9.1 - Common Requirements	16
Art. 9.2 - Standard Cars	16
Art. 9.3 - Production Cars	16

Art. 9.3 - Restriction of Reconnaissance	16
Art. 9.4 - Registration Procedure	16
Art. 9.5 - Reconnaissance Schedule	16
Art. 9.6 - Number of Passages	17
Art. 9.7 - Specific and national restrictions – speed limit	17
Art. 9.8 - Fitment of speed control checking devices	17
Art. 9.9 - Breach of the above rules	17
Art. 11 - Administrative checks	17
Art. 11.1 – Administrative Venue and Date	17
Art 11.2 - Times and Schedule	18
Art. 11.3 - Documents to be presented	18
Art. 12 - Scrutineering, Sealing and Marking.....	18
Art. 12.1 - Scrutineering, venue, and Date	18
Art. 12.2 - Times and Schedule	19
Art. 12.3 - Scrutineering mandatories and requirements.....	19
Art. 12.4 - Windows.....	19
Art. 12.5 - Noise level.....	19
Art. 12.6 - Driver's safety equipment	20
Art. 13 – Other Procedures.....	20
Art. 13.1 - Start procedure and order	20
Art. 13.2 - Electronic start procedure	21
Art. 13.3 - Finish procedure	21
Art. 13.4 - Permitted early check-in	21
Art. 13.5 - Special procedures / activities	21
Art. 13.6 - Official Time	21
Art. 13.7 - Traffic infringements during the competition	21
Art. 13.8 - Responsibility of the Competitor	22
Art. 13.9 - Deposit for the tracking device.....	22
Art. 14 - Identification of officials	22
Art. 15 – Prizes	23
Art. 15.1 - Prize-giving	23
Art. 15.2 – List of Trophies and Medals	23
Art. 16 – Final Checks and Protests	23
Art. 16.1 - Final Checks	23
Art. 16.2 - Protest and Protest Deposits	23
Art. 16.3 - Appeal deposit	24
Art. 17 - Availability of participants after the Finish of the rally.....	24
Appendix 1 - Itinerary	25
Appendix 2 – Reconnaissance schedule	26
Appendix 3 – Competitors Relations Officer(s)	27
Appendix 4 – Decals and Supplementary Advertising	28
Appendix 5 – Extracts from FIA Appendix L.....	29

Appendix 6 – Mounting of on-board Cameras.....31
Appendix 7 – Start Light Sequence.....33

Art. 1 - Introduction

Name of the rally:	10th Jezzine Rally
Date of the rally:	17th of July, 2022

Art. 1.1 - Preamble

This rally will be run in compliance with the FIA International Sporting Code (ISC) including appendices, the 2022 FIA Regional Rally Sporting Regulations including appendices, the National Sporting Code, the ASN Technical Regulations (only when related to national cars), and the FIA Anti-Doping Regulations, as amended from time to time. The National Road Traffic Regulations shall apply. Unless provided otherwise by these Supplementary Regulations, the provisions of the above Rules and Regulations shall apply.

Any modifications, amendments and/or additions to the Rules and Regulations shall be made in the form of numbered and dated bulletins issued by the Organiser of the rally or the Stewards. All 2022 FIA regulations can be found at <https://www.fia.com/regulations> .

All documents will be written in English and Arabic (if, and when necessary). In case of any discrepancy the English text will be binding.

Access to the 2022 FIA Regional Rally Sporting Regulations (RRSR) may be thru visiting: <https://www.fia.com/regulation/category/117>

Art. 1.2 - Length of Special Stages and Road surface

Leg 1: Asphalt	85.83km
----------------	---------

Art. 1.3 - Overall SS distance and total distance of the itinerary

Number of Legs	1
Number of Sections	3
Number of Special Stages	7
Total distance of the itinerary	215.22km
Overall length of Special Stages	85.83km

Art. 2. - Organization

Art. 2.1 - Championships and titles for which the rally counts

The 2022 Lebanese Rally Championship for Drivers.
The 2022 Lebanese Rally Championship for Co-Drivers.
The 2022 Lebanese Cup for RC3 Rally Drivers.
The 2022 Lebanese Cup for RC4 Rally Drivers.
The 2022 Lebanese Cup for RC5 Rally Drivers.
The 2022 Lebanese Cup for Junior Rally Drivers/Co-Drivers.
The 2022 Ladies Cup for the Lebanese Championship.
The 2022 Lebanese Cup SN Rally Drivers.
The 2022 Lebanese Cup SA Rally Drivers

Art. 2.2 - Approvals

ASN registration number / Visa:

Visa No.:	R/2/2022	Approved on:	March 21st, 2022
------------------	-----------------	---------------------	-------------------------

Art. 2.3 - Organizer's name, address and contact details

Organiser:	The Automobile and Touring Club of Lebanon - ATCL
Organiser's representative:	National Sporting Committee / Permanent Secretariat
Street/P.O. Box:	Kaslik Road / P.O. Box 115 – Jounieh, Lebanon
city:	Kaslik, Jounieh
Phone / Fax:	+961 9 640220 / 640567 / 932020-Fax: +961 9 640579 / 934662
E-mail:	atcl@inco.com.lb
Website:	www.atclmotorsports.com

Art. 2.4 - Organizing Committee (Alphabetical order)

Chairman	Nicolas HINDI
Members	Fadi EID Gabriel HAYEK Guy HOKAYEM Lian TAWTAH Raffi KHEDERLARIAN Serge TCHOUPOURIAN Ziad JAMOUS

Art. 2.5 - Stewards of the Meeting

	Name
Stewards of the Meeting (Chairperson):	Ziad JAMOUS
2nd Steward	Sleiman KHATTAR
3rd Steward	Guy HOKAYEM
Secretary to the Stewards	Lydia LABAKI

Art. 2.6 - ASN Observer / ASN Safety Delegate

	Name
ASN Observer / ASN Safety Delegate	Gaby KREIKER

Art. 2.7 - Senior Officials

	Name
Clerk of the Course	Nicolas HINDI
Deputy Clerk of the Course	Gaby HAYEK
Deputy Clerk of the Course (Road Insp.)	Roy MOUKARZEL
Chief Safety Officer	Lian TAWTAH
Deputy Chief Safety Officer	Abdo NAWFAL
Scrutineers (Chief Scrutineer)	Raffi KHEDERLARIAN
Scrutineer (Assistant Chief)	Hovsep ASLANIAN
Scrutineer (Assistant Chief)	Serge TCHOUPOURIAN
Scrutineer	Khalil HASHEM
Scrutineer	Ardem SARKISSIAN
Chief Medical Officer (CMO)	Guy HOKAYEM (MD)
Media Relations Officer	Jalal BEAINO
Competitors' Relations Officer (CRO)	Michel SCHUKRI & Youssef KOSSEIFI

Results Officer	Fady EID
Secretary of the Rally	Neveen HACHEM
Administration office	Marc ABOU KHEIR
Judges of Fact	All senior officials named on this page

Art. 2.8 - Location of Rally HQ and contact details

Name:	Jezzine Municipality
Street:	Jezzine
City:	Jezzine
E-mail:	atcl@inco.com.lb
Website:	www.atclmotorsports.com

Rally HQ in operation: from [17/07/2022 5:30] to [17/07/2022 16:00]

Art. 2.9 - Location of Holding Area and Time Limit

Location of Holding Area: Jezzine square - Jezzine

Holding Area Time Limit: from [12/07/2022 6:00] to [12/07/2022 6:30]

Art. 2.10 - Location of Service Park(s)

Service parc in operation: Location of the Service Park: Jezzine Square

Art. 2.11- Official Notice Board / Digital Notice Board

The Official Notice Board during this rally is replaced by the Digital Notice Board (DNB) on WhatsApp Group; Wednesday July 13th, 2022 to Sunday July 17th, 2022

Art. 3 - Program in chronological order and locations

	Location:	Date:	Time:
Entries open	Rally Office – ATCL, Kaslik	Mon June 27	12:00
Latest Date to Submit Fuel Purchase Form	Mekaconsul s.a.r.l. (WhatsApp: 03209094) only; email: serge@mekaconsul.com	Before: Tue. Jul 12	12:00
Closure date of entries	Rally Office – ATCL, Kaslik	Tue. Jul 12	16:30
Closure date for co-driver details	Rally Office – ATCL, Kaslik	Tue. Jul 12	16:30
Closure date of Submitting all Forms	Rally Office – ATCL, Kaslik	Tue. Jul 12	16:30
Publication date of Entry List	DNB	Wed. Jul 13	16:00
Collection of material and documents	Rally Office – ATCL, Kaslik	Thu. Jul 14	09:00-13:00
Media Accreditation	Rally Office – ATCL, Kaslik	Thu. Jul 14	09:00
Publication of convocations to: Administrative checks and Scrutineering.	DNB	Thu. Jul 14	12:00
Issuing of the road book	DNB	Fri. Jul 15	10:00
Tracking Devices: Collection Cars' Stickers collection	Rally Office – ATCL, Kaslik	Fri. Jul 15	12:00-16:00
Administrative checks	Rally Office – ATCL Kaslik	Fri. Jul 15	16:30-20:00
Scrutineering sealing & marking of components	Rally Office – ATCL Kaslik	Fri. Jul 15	16:40-20:30
First Stewards meeting	Rally Office – ATCL Kaslik	Fri. Jul 15	20:30
Start of reconnaissance		Sat. Jul 16	07:30
End of reconnaissance		Sat. Jul 16	15:30
Publication of list of cars eligible to Start	DNB	Sat. Jul 16	10:00
Publication of start list for Leg 1	DNB	Sat. Jul 16	11:00
Opening of Rally Headquarters	Jezzine Municipality, Jezzine	Sun. Jul 17	05:30
Car entry to the Holding Area	Jezzine Square, Jezzine	Sun. Jul 17	06:00-06:30
Start of the Rally – Leg 1	Jezzine Square, Jezzine	Sun. Jul 17	07:00
Finish Ceremony / Prize-giving	Jezzine Square, Jezzine	Sun. Jul 17	15:15
Final Scrutineering	Jezzine Square, Jezzine	Sun. Jul 17	15:30
Tracking Devices: Drop Off	Jezzine Square, Jezzine	Sun. Jul 17	15:30
Publication of Provisional Classification	DNB	Sun. Jul 17	15:30
Publication of Final Classification	DNB	Sun. Jul 17	16:00

Art. 4 - Entries

Art. 4.1 - Closing date for entries

See program in chronological order (SR Art. 3)

Art. 4.2 - Entry procedure

Any person wishing to take part in the 10th Jezzine Rally must complete and send the entry form (including co-driver details) to the Rally Office (for address details please refer to Art. 2.3 of this Supplementary

Regulations).

All entry forms must be signed by the entrant and each crew member prior to the start of testing and/or reconnaissance. Foreign competitors must hold an authorisation from their parent National Sporting Authority.

Entry forms will only be accepted if accompanied by:

The total amount of the entry fees.

A deposit against the tracking devices.

Photocopy of the first page of the homologation book for the car.

Photocopy of the entrant / competitor licence.

Photocopies of crew members' competitions licences.

Photocopies of crew members' valid driving licences.

A letter from the owner of the car and/or a power of attorney (if the car is not the property of the crew members).

The entry form must be accompanied by a copy of the valid competitor's licence. A change of competitor is permitted up to the close of entries. Only the competitor entered in the event will be allowed to make this request.

An entry application will be accepted only if accompanied by the total entry fees.

According to the International Sporting Code Art. 3.8.1, an entry compels the competitor to take part in the Competition in which they have been accepted to run, except in case of duly established Force Majeure.

Art. 4.3 - Number of competitors accepted and vehicle classes

Art. 4.3.1 The number of competitors shall be limited to: 40 cars. If more than 40 entries are submitted, the Organisers reserve the right to decide which entries (among non-priority drivers) to be accepted.

Art. 4.3.2 Eligible cars

CLASS	GROUPS	
RC2	Group Rally2	– Group Rally2 cars conforming to the 2022 Appendix J, Art. 261
	Group Rally2 Kit (VR4K)	–Cars fitted with R4 Kit conforming to the 2022 Appendix J, Art. 260E
	Group NR4 over 2000cc	–Group N cars conforming to the 2019 Appendix J, Art. 254
	S2000-Rally: 2.0 Atmospheric	–Super 2000 cars (conforming to the 2013 Appendix J, Art. 254A)
	Group R4 (VR4)	-Group R4 cars conforming to the 2018 Appendix J, Art.260
RC3	Rally3 (atmo over 1390cc and up to 2000 cc and turbo over 927cc and up to 1620cc)	–Group Rally3 cars homologated from 01/01/2021 and conforming to the 2022 Appendix J, Art. 260
RC4	Rally4 (atmo over 1390cc and up to 2000cc and turbo over 927cc and up to 1333cc)	–Group Rally4 cars homologated from 01/01/2019 and conforming to the 2022 Appendix J, Art. 260 –Group R2 cars homologated before 31/12/2018 and conforming to the 2018 Appendix J, Art. 260
	R3 (atmo / over 1600cc and up to 2000cc and turbo over 1067cc and up to 1333cc)	–Group R cars homologated before 31/12/2019 and conforming to the 2019 Appendix J, Art. 260
	R3 (turbo / up to 1620cc / nominal)	–Group R cars homologated before 31/12/2019 and conforming to the 2019 Appendix J, Art. 260D

	Group A up to 2000cc	–Group A cars conforming to the 2019 Appendix J, Art. 255
RC5	Rally5 (atmo up to 1600cc and turbo up to 1333cc)	–Group Rally5 cars homologated from 01/01/2019 and conforming to the 2022 Appendix J, Art. 260
	Rally5 (atmo up to 1600cc and turbo up to 1067cc)	–Group R1 cars homologated before 31/12/2018 and conforming to the 2018 Appendix J, Art. 260

See also 2022 FIA RRSR Art. 12.2 additional provisions.

Art. 4.3.3 Cars with expired homologations.

- Refer to Appendix C of the 2022 National Sporting Code article 1.b
- It is mandatory for these vehicles to be in conformity with their expired homologation forms and the current FIA Appendix J 253 for safety equipment J 254 for Group N cars and J 255 for group A.

Additional provisions for **National Cars:**

- Cars homologated as Kit Car and Super 1600 are not allowed.
- All cars must be fitted with two manual fire extinguishers, each having 2kgs minimum capacity of powder extinguishant. However, an additional mounted extinguishing system in compliance with the current FIA standard 8865-2015 is highly recommended.
- The fitting of FIA approved fuel tanks is highly recommended, otherwise the series production tank should be retained.
- Locally fabricated ROPS; Roll over Protection Structures (Roll cages) are prohibited.

Groups & Classes for National cars:

Group SN:

- SN1: Up to 1400cc
- SN2: Over 1400cc Up to 1600cc
- SN3: Over 1600cc Up to 2000cc
- SN4: Over 2000cc Up to 3500cc

Group SA:

- SA5: Up to 1400cc
- SA6: Over 1400cc Up to 1600cc
- SA7: Over 1600cc Up to 2000cc

Art. 4.3.4 PROMOTION classification:

There will be a PROMOTION classification for the Lebanese competitors with the following conditions:

- To hold the Lebanese nationality and competition licence.
- Not to be a FIA priority driver.
- Not to be a MERC priority driver.
- Not to be an ASN priority driver.
- The car must be the property of one of the crew members and not the property of any dealer or manufacturer.
- Have not been classified among the first 3 during the past two years at the Rally of Lebanon.

A list of PROMOTION classification will be issued at the same time along with the entry list.

Art 4.3.5. Change of Class Entered

At the time of scrutineering, if a car as presented does not correspond to the group and/or class in which it was entered, the Stewards may transfer it to the appropriate group and/or class recommended by the chief scrutineer.

Art. 4.4 - Entry fees and entry packages

Art. 4.4.1 Fees

With organiser's optional advertising (see also FIA RRSR Art. 18)

USD 500	For Private Entrant
USD 1,000	For Legal Entrant

Without the organiser's optional advertising: (see also FIA RRSR Art. 18)

	USD 1,000	For Private Entrant
	USD 2,000	For Legal Entrant

Private Entrant: For an entry for the 10th Jezzine Rally to be considered as a private entry, the following conditions must be complied with:

The car entered must be personal property of one of the crew members and the car licence must be in his/her name.

If the car is not the property of one of the crew members, a letter of authorisation from the owner of the car and/or a power of attorney approving the use of the car should be accompanied along with the entry form. Letters of authorisation and/or powers of attorney dated more than three months before the date of the rally will not be considered.

The entry form must be made in the name of one of the crew members, not in the name of a sponsor or any commercial organisation.

The entrant's competition licence must be in the name of one of the crew members.

Unless all the above-mentioned conditions are met, the entry will not be considered as a private entry and the appropriate entry fees will be liable for payment.

Legal Entrant: The competing car entered by a team, a manufacturer, a company, or other legal entity (with legal entrant / competitor's licence).

Art. 4.4.2 The entry fees

Specified in Art.4.4.1 (aforementioned) include:

Item	Private Entrants	Legal Entrant
Driver Passes	2	2
Service Personnel Passes	6	8
"Service" plates	1	2
Road Book	Digital	Digital

Should additional material be deemed necessary; it can be ordered from the rally secretariat by using the "Additional materials order form".

Art. 4.4.3

The change of one crew member will be subject to article 22.4 of the 2022 FIA Regional Rally Sporting Regulations. However, an additional fee of **USD 50** will be imposed in case of changing a crew member.

Art. 4.4.4 - Payment details

All payments stated in these Supplementary regulations to be paid in **CASH USD** at ATCL Rally's office.

Art. 4.4.5 - Refunds

The entry fee shall be refunded in full to teams whose entry application is rejected if the event does not take place

Organisers may partially refund entry fees up to 30% if a competitor cannot take part in the event due to a duly proved case of force majeure.

Art. 5 - Insurance Cover

The insurance guarantees the competitors for civil liability towards third parties for a maximum of **USD 100.000** as total liability for this event. The insurance cover will come into effect from the start until the end of the rally or at the moment of permanent retirement, disqualification or exclusion.

Beside the insurance provided by the organisers, it is compulsory for all entrants / competitors to have their rally vehicle covered by a third-party liability, during their stay in Lebanon. A copy of the insurance certificate should be presented along with other documents upon administrative checks (refer here under to Art. 10.3 of these Supplementary Regulations).

It is mandatory that all foreign crew members have Motor Sport Personal Accident Insurance valid for Lebanon, or a *Prise-en-Charge* issued by the crew members parent ASN. Otherwise, the Organiser will provide such insurance for a premium of **USD 50**

The service, management vehicles and reconnaissance vehicles including those bearing special plates issued by the Organisers may never be considered as official participants in the rally. They are therefore not covered by the insurance policy of the rally and will remain the sole responsibility of their owners.

Damages to rally cars as well as liability of a crew member towards the other crew member or car are not covered by the insurance provided by the Organisers.

Incident involving a person who is not a crew member:

In compliance with the 2022 FIA Regional Rally Sporting Regulations Article 53.4 of as well as Appendix H Article 5.6.1, if a crew is involved in an accident in which a person who is not a crew member sustains physical injury, the car must stop immediately, and the procedure as laid down in Article 53.3.1 (2022 RRSR) must be followed.

A motorsport personal accident insurance is provided for each competitor (Driver and Co-Driver) for an additional charge of USD50 each.

The Lebanese traffic law will be complied with in relation to procedures at accidents.

Moreover, it is compulsory for the competitor or his representative to notify the Clerk of the Course and/or the Competitor's Relations Officer(s) in writing, within 4 hours, with the full details including the names and addresses of those involved and witnesses if any.

Any breach of this rule will be reported and will result in a penalty, at the discretion of the Stewards.

Art. 6 - Advertising and Identification

Art. 6.1 - Advertising

The advertising of tobacco products is prohibited.

Advertising regarding alcoholic beverages is permitted.

The advertising of political, religious and/or social material is strictly forbidden.

Competition numbers, rally plates and advertising shall be affixed on the car before scrutineering. These must be visible through the whole duration of the rally under the pain of penalty (Article 6.2-b of these Supplementary Regulations.).

Spaces set by the Organisers (refer to Appendix 4 of this Supplementary Regulation) must be reserved on the car, if the entrant has accepted the Organiser's optional advertising, unless he pays the Entry Fees without Optional Advertising proposed by the Organisers in accordance with Article 4.6.1-b of this Supplementary Regulation.

See Appendix 4 of these SR "Decals and positioning of supplementary advertising".

Art. 6.2 - Obligatory organizer's advertising

Rally plate:

To be announced by a bulletin

Competition:

Number: size:67x17cm

To be announced by a bulletin

The organiser will provide each crew with the number identification (67x17cm), which must be affixed to their car in the stated positions prior to scrutineering. Each panel shall be placed horizontally at the leading edge of each front door, with the number at the front. The top of the plate shall be between 7 cm and 10 cm below the lower limit of the window. It is not allowed to cut the panel.

Art. 6.3 - Optional organizer's advertising

Additional organiser's advertising:

To be announced by a bulletin

Spaces on the vehicle that must be kept free:

See Appendix 4 of these Supplementary Regulations

Art. 6.4 - Identification numbers

The rally plates and numbers will be provided by the Organisers in compliance with the FIA Regional Rally Sporting Regulations. These numbers must be affixed as specified in Appendix 4.

The missing and/or covering of a rally plate will result in a cash penalty of **USD 100**.

Service and/or auxiliary vehicle plates shall be affixed on the inside of the windscreen in the top right-hand corner of the vehicle.

Art. 7 - Tires

Art. 7.1 - Regulations regarding tires which may be used during the rally

See Art. 13 of the FIA RRSR (tyres and wheels).

In accordance with the Appendix C of the 2022 National Sporting Code FIA homologated tyres are recommended to be used; however, the following is permitted:

- a) Moulded FIA approved tyres from the current homologation list of asphalt eligible tyres are accepted. Older homologation moulded tyres will be permitted.
- b) Tyres commercially and readily available marked "DOT", "E" or "e" for street use and NOT for Racing / Competition / Track Use, etc..., are permitted. Slick tyres are NOT permitted. Any type of tire SHOULD be submitted for final approval, latest TWO WEEKS BEFORE the event, to the organising committee of the event. Acceptance of the said tyres is conditioned by the committee's final approval.
- c) For all the above-mentioned tyres, Hand cutting, or modification of the thread pattern is **NOT** permitted.
- d) The organisers have the right to reject any tyre without having to give a reason.

Any breach of the tyre regulations will be submitted to the Stewards and may result in a penalty, which may go as far as the disqualification of the crew by the Stewards.

Art. 7.2 - Tires for use on Reconnaissance

TYRES FOR RECONNAISSANCE CARS: Tyres used for reconnaissance shall be:

- a) Road-homologated series production tyres for asphalt.

Art. 8 - Fuel

Art. 8.1 - Fuel type

- a) Regular fuel: commercially available petrol (Coral)
- b) ETS Extramax Racing fuel in conformity with FIA Appendix J, Art.252.9
- c) ETS TBX7 Racing fuel for Rally2 cars in conformity with FIA Appendix J, Art.252.9

Art. 8.2 - Fuel Ordering procedure

- a) Each competitor submits a Special Fuel Purchase Form requesting the quantity of fuel needed for the rally and send it, no later than 12:00hrs on Tuesday July 12th, 2022, to:
By WhatsApp only on 03209094
By email: serge@mekaconsul.com
- b) Payment: Payment should be made prior to the scrutineering in **cash USD only**. Moreover, a copy of the fuel purchase invoice should be presented along with other documents in the administrative checks.

Art. 8.3 - Fuel dispenses

The fuel will be dispensed to the competitor or his representative (duly assigned in writing) at the refuelling zone – as indicated in the Road-Book - subject to presenting the voucher given upon payment.

Art. 8.4 - General provisions

- a) The fuel tank capacity should meet and cover the time and distance table of the rally, *i.e.*, *the rally itinerary*.
- b) Except as detailed under Article 58, and in accordance with Article 61 of the 2022 FIA Regional Rally Sporting Regulations, competitors may only refuel in the Refuelling Zone (RZ) designated by the Organisers in the road-book. Other activities inside the refuelling zone are strictly prohibited.
- c) To refuel in the service park is forbidden at any time.

Any breach of these regulations will be reported to the Stewards who may apply penalties at their discretion which may go as far as the disqualification of the crew.

Refuelling procedure (Article 61 of the 2022 FIA Regional Rally Sporting Regulations):

- i. Only actions inside a refuelling zone directly involved in the refuelling of the competing vehicle are permitted.
 - ii. In all refuelling zones, a 5 kph speed limit will apply.
 - iii. The responsibility for refuelling is incumbent on the competitor alone.
 - iv. To access a Refuelling Zone, all personnel involved in refuelling operations must wear clothing that provides adequate protection against fire and includes at least: long trousers, long-sleeved top, closed shoes, gloves, and a balaclava.
 - v. Engines must be switched off throughout the refuelling operation.
 - vi. It is recommended that the crew remains outside the car during refuelling; however, should they remain inside, their safety belts must be unfastened.
 - vii. Solely for the purpose of assisting with the refuelling procedure of their car, two team members of each crew may access this zone.
 - viii. A car may be pushed out of the zone by the crew, officials and/or the two team members without incurring a penalty.
- d) The organisers may make provisions for additional refuelling zones. However, these additional zones shall only be positioned along the itinerary. Except for refuelling rally vehicles, any other kind of servicing is strictly prohibited.

Any breach of the fuel and/or refuelling regulations will be submitted to the Stewards and may result in a penalty, at their discretion, which may go as far as the disqualification.

Art. 8.5 - Closing date for ordering fuel

July 12th, at 12:00

Art. 9 - Reconnaissance of Special Stages

Art. 9.1 - Common Requirements

- a) The car must be painted in a single colour, with no advertising, stickers, etc.
- b) Underbody protection is authorised (complying with the Group N regulations).
- c) The crew may use a "light" intercommunication system (without helmets).
- d) On-board navigation equipment may be fitted. Cars which conform to the following specifications may be used.
- e) Number of persons during each passage through a special stage, only the crew is permitted in the car.

Art. 9.2 - Standard Cars

Standard Cars Totally unmodified standard cars as offered for sale to the public.

Art. 9.3 - Production Cars

- a) The engine shall be a series production engine (complying with the Group N regulations).
- b) The gearbox shall be a series production gearbox (complying with the Group N regulations).
- c) The exhaust shall be a series production exhaust with a maximum noise level within the permitted legal tolerances of the organising country. – Suspensions shall comply with the Group N regulations.
- d) The fitting of a steel safety cage complying with Art. 253-8.1 to 8.3 of Appendix J is authorised.
- e) Bucket seats in colours similar to those of the interior of the car are authorised.
- f) The rims are free within the limits of Appendix J, Group N.

Art. 9.3 - Restriction of Reconnaissance

As from the publication of the rally Supplementary Regulations, any driver, or his co-driver, or any other team member who has entered or intends to enter a Championship rally and who wishes to drive on any road which is used as a special stage in that rally, may only do so after he has obtained the organiser's written permission. Failure to respect this rule shall result in the driver being reported to the Stewards.

Art. 9.4 - Registration Procedure

- a) Reconnaissance cars must be in conformity with Article 35 of the 2022 FIA Regional Rally Sporting Regulations; and must be covered by insurance as required by the traffic laws of Lebanon, no responsibility being imputable to the organisers.
- b) Recce cars must be registered with a separate form related to the reconnaissance.
- c) Each car must be identified with a reconnaissance car number supplied by the organiser. Rally cars used in the event may not be used for reconnaissance.
- d) When registering for reconnaissance, one of the crew members must be present to sign an indemnity and register the details of the reconnaissance car (spare recce car, if any), mobile telephone number and contact details of the place of residence.
- e) The Reconnaissance Registration Form can be collected from the Rally Secretariat or downloaded from the A.T.C.L. official website. This form should be filled and sent to the Rally Secretariat before commencing the reconnaissance.

Art. 9.5 - Reconnaissance Schedule

The road book will be issued and published on DNB on Friday, July 15th, 2022, at 10:00hrs.

The Reconnaissance date(s) and time(s): **Starting on Saturday, July 16th, 2022, at 07:30hrs,**
Ending on Saturday, July 16th, 2022, at 15:30hrs.

As from the moment of publication of the Itinerary Plan till the Start of the Rally,
No Reconnaissance allowed outside the above-mentioned date(s) and time(s),

Any competitor found in breach of this rule, will be reported to the stewards who may apply penalties at their discretion.

Art. 9.6 - Number of Passages

The maximum number of passages authorised for each crew on each special stage is: **Open**.

Art. 9.7 - Specific and national restrictions – speed limit

- a) In compliance with Article 35.3 of the 2022 FIA Regional Rally Sporting Regulations, reconnaissance is **PROHIBITED** before and after Saturday July 16th, 2022, as per Art. 9.5 of these Supplementary Regulations.
- b) If before, or after the aforementioned date any crew and /or competitor is found on any part of any special stage to be used in the rally, they will be reported to the stewards who may apply penalties at their discretion.
- c) Crews will only be permitted to enter and leave special stages through the start and finish controls shown in the Road Book and may not under any circumstances drive in a direction opposite to that of the rally.
- d) Maximum speed limit of 70 km/h during reconnaissance is imposed on all special stages unless another speed limit is indicated by traffic signs. In compliance with Article 34.2.2 of the 2022 FIA Regional Rally Sporting Regulations, speeding during reconnaissance will incur a fine applied by the clerk of the course as follows:
 - **€25 (or the equivalent in US dollars at the rate of the day)** per km per hour over the speed limit.
 - The amount of this fine will be unaltered by any fine imposed by the police.
 - The fine will be doubled in case of a second offence committed during reconnaissance in the same rally.
- e) Other traffic infringements during reconnaissance will incur a fine applied by the Steward.
- f) All cars must always have their headlights on whilst travelling on the special stages.

Art. 9.8 - Fitment of speed control checking devices

All reconnaissance cars must be equipped with a speed control checking device. This device can be collected and dropped off according to the program in chronological order as listed in Art. 3 of these supplementary regulations.

Any interference with the system(s) during reconnaissance will result in the competitor being reported to the Stewards.

It is emphasised that reconnaissance is not a practice run. The competitors must drive in a manner that does not endanger or cause inconvenience to traffic or people living within and near the stages. During reconnaissance, the traffic laws of Lebanon must be strictly complied with as well as the safety and rights of ways of other road users should be respected.

Art. 9.9 - Breach of the above rules

Any breach of the reconnaissance regulations will result in a penalty at the discretion of the Stewards (Article 12 of the ISC), which may go as far as disqualification. Furthermore, the Stewards may report the competitors concerned to the ASN for possible further sanctions.

Reconnaissance will be according to FIA RRSR Art. 35. The schedule for the reconnaissance is published in Appendix 2 of these supplementary regulations.

Art. 11 - Administrative checks

Drivers and co-drivers are not required to report personally to the administrative checks. Each Competitor may nominate in advance, to the Rally Organiser, one authorised representative to complete administrative checks. Further information will be issued in a bulletin in due time.

Art. 11.1 – Administrative Venue and Date

Administrative checks shall take place on Friday, July 15th, 2022, at:

**Rally Office
A.T.C.L.; Jounieh**

Art 11.2 - Times and Schedule

See program in Art. 3 of these supplementary regulations:

July 15th from 16:30 till 20:00
Per convocation timetable

According to an individual time schedule given later in a bulletin or a communication and posted on the digital notice board.

Crews' representatives reporting outside their time limits for Administrative Checks will be penalised 15. - U.S. \$ per minute to a maximum of 15 minutes. Thereafter, they will be reported to the Stewards who may apply penalties at their discretion.

Art. 11.3 - Documents to be presented

To keep the time required for the administrative checks to the necessary minimum, make sure to bring and present the following documents:

- a) Competitors' licence (if any).
- b) Drivers' and Co-drivers' competition licences.
- c) Drivers' and Co-drivers' valid driving licences.
- d) Driver's and co-driver's ID cards/passports
- e) Rally car documents and registration papers etc... If the car is not the property of one of the crew members, a letter of authorisation from the owner of the car and/or a power of attorney approving the use of the car should be accompanied along with the entry form.
- f) Letters of authorisation and/or powers of attorney dated more than three months before the date of the rally will not be considered.
- g) Car insurance cover certificate (refer to Art. 5 of these Supplementary Regulations).
- h) Motor Sport Personal Accident Insurance (Refer to Art. 5, of these Supplementary Regulations).
- i) Copy of fuel purchase invoice.
- j) Completion of all details on the entry form
- k) ASN authorisation for foreign competitors.

Competitors' representatives are required to hold a signed Administrative Clearance Form prior to Scrutineering.

Art. 12 - Scrutineering, Sealing and Marking

Drivers and co-drivers are required to report personally to the Scrutineering checks, unless the driver has a priority: FIA, MERC or ASN.

Art. 12.1 - Scrutineering, venue, and Date

The Administrative Check must be completed prior to Scrutineering. Competitors are required to present their signed Administrative Clearance Form prior entering the Scrutineering venue.

1 or max 2 people, duly assigned in writing, for each car, (2 if required to remove underbody protection / 1 person for checking the equipment / 1 person for sealing spare parts) are required for all teams entering scrutineering.

Cars may be presented at scrutineering by a representative of the team. See program (SR Art. 3) Scrutineering, Sealing and Marking will take place on Friday, July 15th, 2022, at:

Tennis Courts Venue
A.T.C.L.; Jounieh.

Art. 12.2 - Times and Schedule

See program in Art 3 of these supplementary regulations.

July 15th from 16:40 till 20:30

Per convocation timetable

According to an individual time schedule given later in a bulletin or a communication and posted on the digital notice board.

Crews' reporting outside their time limits for Scrutineering will be penalised **USD 15** per minute to maximum of 15 minutes. Thereafter, they will be reported to the Stewards who may apply penalties at their discretion.

Art. 12.3 - Scrutineering mandatories and requirements

Cars' complete certified homologation
SOS / OK board (DIN A3 format)

For each car of the FIA Priority Drivers, one spare gearbox and one set of spare differentials (front and/or centre and/or rear) may be used in each rally. These spare components and those fitted to the car will be marked/sealed at initial scrutineering. These cars must have their sump guards removed for sealing of gearboxes and differentials and be kept with the car for the purpose of weighting.

Art. 12.3.1 Scrutineering requirements:

- a) The installation of the tracking system will be checked at scrutineering. Cars must be presented to the scrutineers with the competition numbers, rally plates and optional advertising affixed on the car before entering the Scrutineering venue. Failing to comply with this rule is subject to a cash penalty of **USD 100** (Article 6.4 of these Supplementary Regulations).
- b) In accordance with Article 31.1.4 of the 2022 FIA Regional Rally Sporting Regulations **the presentation of the car's complete original FIA homologation form at scrutineering is compulsory**. Any breach of these regulations will be reported to the Stewards who may apply penalties at their discretion.
- c) In accordance with Appendix J, Article 253-6, two belt cutters must be always carried on board. They must be easily accessible for the driver and co-driver when seated with their harnesses fastened.
- d) An authentic copy of the homologation document or certificate, of the roll cage approved by the ASN and signed by qualified technicians representing the manufacturer, must be presented to the event's scrutineers
- e) In accordance with Article 53.2 of the 2022 FIA Regional Rally Sporting Regulations, each competing car shall carry a red "SOS" sign and on the reverse a green "OK" sign measuring at least 42 cm x 29.7 cm (A3).
- f) In accordance with Appendix A, Chapter X, Article 5, of the 2022 National Sporting Code, all Competitors, teams, and entrants who wish to carry on-board cameras, in-car videos and/or film cameras must have the prior agreement of the Organisers beforehand. **However, it is MANDATORY to provide the Organisers and/or the Clerk of the Course with a copy of the complete unedited recordings upon requisition with no delay.**
- g) Authorised cameras will be identified by an adhesive decal and must be mounted in/on the car at the time of scrutineering. The mounting of on-board cameras (Interior/Exterior) to be in compliance with Appendix 6 of this Supplementary Regulations.
- h) The On-Board Camera Application Form can be collected from the Rally Secretariat or downloaded from the ATCL official website. This form should be filled and sent to the Rally Secretariat by Tuesday, July 12th, 2022, at 16:30hrs at the latest.
- i) Failing to observe this rule will be subject to a penalty at the discretion of the Stewards.

Art. 12.4 - Windows

Use of tinted windows is not authorised in accordance with Article 253.11 "Windows/nets" of Appendix J of the FIA International Sporting Code and in accordance with the traffic law of Lebanon.

However, and in compliance with Appendix J, Article 253.11, the use of transparent and colourless anti-shatter films on the side windows and the glass sunroof is mandatory.

Art. 12.5 - Noise level

In accordance with Appendix J, Article 252-3.6, "all cars used in this Rally, the noise level on the open road must not exceed 103 dB(A) for an engine rotation speed of 3500 rpm for petrol engines".

Art. 12.6 - Driver's safety equipment

REFER TO THE SAFETY ITEMS of the 2022 National Sporting Code Appendix C

Below are some important items:

- a) All items of clothing including helmets and FHR (Front Head Restraint) intended to be used, e.g. HANS devices, must be presented for scrutineering. They shall be checked for compliance with Appendix L, Chapter III.
- b) In compliance with ISC Appendix L, Chapter III, Article 3, the wearing of an FIA approved Frontal Head Restraint (FHR), homologated according to the FIA 8858 standard, on special stages is **MANDATORY** for all drivers and co-drivers. Homologated FHR systems are listed in the FIA Technical List N° 29.
- c) In compliance with Appendix L, Chapter III, Article 2, the wearing of overalls as well as gloves (optional for co-drivers), long underwear, a balaclava, socks, and shoes homologated to FIA 8856-2000 standard (Technical List N°27) or FIA 8856-2018 standard (Technical List No 74), of Appendix J are **MANDATORY** to be worn on special stages by all drivers and co-drivers.
- d) Infringements are subject to the penalty of refusal to take the start.
- e) In compliance with ISC Appendix J, Article 253.8.4, where the occupants' bodies could come into contact with the safety cage, flame retardant protective padding must be provided for protection. All tubes of the cage and all roof reinforcements must be fitted with paddings in compliance with FIA standard 8857-2001 type A; *refer to Technical List No. 23*. Each padding must be fixed in such a way that it is not moveable from the tube.
- f) Should it not be possible, for whatever reason, to display the OK/SOS board in any of the above situations, this may be replaced by an evident and clearly understandable sign language shown by the crew outside of the car:
 - an arm and thumb up to indicate “OK”
 - crossed arms above the head to indicate “SOS”.

As per article 53.3.6 of the 2022 FIA Regional Rally Championship Any crew which is able but fails to comply with the above rules will be reported by the Clerk of the Course to the Stewards.

Art. 13 – Other Procedures

Art. 13.1 - Start procedure and order

Art. 13.1.1 - Official start

The rally will start on Sunday, July 17th, 2022, at 07:00hrs from TC 0 situated in Jezzine Square; Jezzine.

Start area / Start holding area

Competing cars and crews must assemble in the Start Holding Area at the Jezzine Square – Jezzine on Sunday, July 17^h, 2022 between 06:00 and 06:30hrs.

Failing to comply with this rule will entail a penalty at the discretion of the Stewards.

Art. 13.1.2 - Starting order and interval

- a) The starting order will be determined as follows:
 - FIA priority drivers
 - MERC priority drivers
 - Lebanese ASN priority drivers - Rallies
 - Other drivers
- b) All drivers will have an interval of one minute (**1min.**) between their start times.

Art. 13.2 - Electronic start procedure

The timekeeping in the special stages will be carried out to the 1/10th of a second.

In accordance with Article 48.2 of the 2022 FIA Regional Rally Sporting Regulations, the start of the special stages will be carried out by an electronic sequential countdown light system. It will be placed on the left-hand side of the road, between 2 and 5 metres ahead of the starting line, counting down by seconds and clearly visible to the crew from the start position.

This system is electronically coupled to a start line detection device that records any situation where a car leaves the start line ahead of the correct signal. The system description is included in Appendix 7 hereafter.

Should the said starting light panel fail to function the start will be given manually in accordance with Article 48.3 of the 2022 FIA Regional Rally Sporting Regulations.

Art. 13.3 - Finish procedure

The rally will conclude at the Finish Podium situated in Jezzine Square – Jezzine on Sunday, July 17th, 2022, at 15:15hrs. Competitors shall follow the Officials directions to the finish ramp, directly followed by the final Parc Fermé.

After clearing the finish ramp, the crews shall drive their cars, as instructed by the officials to the final Parc Fermé and/or Final Scrutineering.

However, each crew may nominate a representative, duly assigned by writing, to take delivery of the car out of the final Parc Fermé. If the car is not driveable this shall be reported to the Clerk of the Course and/or the Competitors' Relations Officer; the crew is solely responsible to arrange transport by a recovery vehicle at his own cost and in a timely manner.

Art. 13.4 - Permitted early check-in

Crews are authorised to check in early without incurring a penalty at:

TC 7A End of Leg 1 / Finish Podium

Art. 13.5 - Special procedures / activities

13.5.1 - Interruption of a Special Stage

If a Special Stage is interrupted or stopped for any reason, article 52 of the 2022 FIA Regional Rally Sporting Regulations will apply.

13.5.2 - Time card change during the rally

The Timecards will be issued at the following time controls:

Section 1	TC 0	Start Leg 1 / Section 1
Section 2	TC 2B	Regrouping OUT
Section 3	TC 4B	Regrouping OUT

Competitors who have retired are NOT required to hand in their timecard. Nevertheless, confirmation of a crew's final retirement must be communicated by the duly authorised competitor's representative (*Article 10 SR*) to the Clerk of the Course via electronic means, *i.e.: email / WhatsApp, etc...*

Art. 13.6 - Official Time

The official time throughout the entire rally will be based on GPS time (UTC +3 hours).

A display of the "Official Time" will be located at the event headquarters as well as on the starting podium.

Art. 13.7 - Traffic infringements during the competition

Traffic infringements will be dealt with in compliance with Article 34.3 of the 2022 FIA Regional Rally Sporting Regulations.

The amount of this fine will be unaltered by any fine imposed by the police.

Art. 13.8 - Responsibility of the Competitor

In accordance with 9.15 of the ISC, the Competitor shall be responsible for all acts or omissions on the part of any person providing any service on their behalf, direct or indirect, including in their mechanics, consultants, service providers, as well as any person to whom the Competitor has allowed access to the Reserved Areas. Any breach of this rule will result in a penalty at the discretion of the Stewards.

Art. 13.9 - Deposit for the tracking device

A deposit of **\$100** for the tracking devices to be submitted by the crew along with the Entry Fees; this deposit shall be refunded if the tracking devices are returned in sound conditions with a deadline of one week starting from time of the end of the rally. No refund shall be made beyond this set deadline.

Art. 14 - Identification of officials

Senior Rally Officials	White shirts with their names in dark blue letters on their left.
Competitors' Relations Officers	Pink shirts with "C.R.O." in large white letters weaved on their back.
Headquarters staff	Light grey shirts.
Media staff	Light yellow shirts.
Stages Commanders	Blue shirts bearing the ATCL logo on it.
Stages Safety Officers	Navy blue shirts with "SAFETY" weaved on their back.
Stages Time Control Officers	Yellow tabards with "TEAM LEADER" in blue.
Special Stages posts chiefs	Yellow tabards with "TEAM LEADER" in blue.
Stages Doctors	Bright red tabards with "DOCTOR" in black.
Safety Marshals	Bright yellow tabards with "SAFETY" in grey.
Intermediary and Radio Points	Bright yellow tabards with a blue radio point symbol.
Red flag marshals	Bright orange tabards with black radio point symbol.
Special Stages Marshals	Blue tabards with "MARSHALS" in white.

Art. 15 – Prizes

Art. 15.1 - Prize-giving

- a) The prize giving shall take place on the podium at the finish ramp situated in the Jezzine Square – Jezzine on Sunday July 17^h, 2022 at 15:15hrs.
- b) Competitors that are not personally present during the prize giving ceremony shall lose their right to the prizes they earned. Nevertheless, the classification and attribution of the other prizes won't be modified.
- c) The final classification will be published on the Digital Notice Board.

Art. 15.2 – List of Trophies and Medals

In accordance with Appendix A, Article 14 of the Lebanese National Sporting Code.

Art. 16 – Final Checks and Protests

Art. 16.1 - Final Checks

- a) Time and location: see program in Art 3 of these supplementary regulations.
- b) Cars subject to final checks (decision by the Stewards) must have one representative present at the final check for the entrant as well as the relevant mechanics, in case of dismantling the whole or parts of the car.
- c) Any teams required to undergo final scrutineering must immediately follow the instruction of the marshals in charge, even if this prevents them from proceeding to one or more-time controls (TC). The complete original homologation form and other necessary certifications must be available for final scrutineering.

Art. 16.2 - Protest and Protest Deposits

- a) In compliance with Article 65.2 of the 2022 FIA Regional Rally Sporting Regulations, all protests must be lodged in writing and handed to the clerk of the course together with the protest deposit of an amount of **€1000.-**, (or the equivalent in US dollars at the rate of the day). This protest deposit shall not be returned if the protest is judged unfounded.
- b) If a protest requires the dismantling and re-assembly of a clearly defined part of the car, any additional deposit will be specified by the Stewards upon a proposal of the Chief Scrutineer.
 - i. If the protest involves a clearly defined part of the car (engine, transmission, steering, braking system, electrical installation, bodywork, etc.): **USD 2,000** per each.
 - ii. Protests involving the whole vehicle are inadmissible.
- c) The expenses incurred by the work and by the transport of the vehicle shall be borne by the claimant if the protest is unfounded, or by the competitor against whom the protest is lodged if the claim is founded.
- d) If the claim is unfounded, and if the expenses incurred by the protest (scrutineering, transport etc.) are higher than the deposited guarantee, the difference shall be borne by the claimant. Conversely, if the expenses are less, the difference shall be returned to him.

Art. 16.3 - Appeal deposit

- a) The sum of the National appeal deposit (ASN): **USD 4,000**

Art. 17 - Availability of participants after the Finish of the rally

Participants who park their vehicles in the Parc Fermé upon passing the finish line, must remain available by phone (mobile) until the final classification has been posted.

Appendix 1 - Itinerary

10th JEZZINE RALLY

Version (1), 29/06/2022

START LEG 1							Sunday, July 17 th , 2022
TC	LOCATION	SS dist.	Liaison dist.	Total dist.	Target time	First due	
0	Rally Start (Jezzine Main Square)					07:00	Section 1
1	Bqosta	-	27.11	27.11	00:40	07:40	
SS1	BQOSTA 1	11.41	-	-	00:03	07:43	
2	Barti	-	9.19	20.60	00:30	08:13	
SS2	BARTI 1	16.80	-	-	00:03	08:16	
2A	Regrouping / Technical Zone IN -	-	6.77	23.57	00:33	08:49	
2B	Regrouping OUT Service IN	-	-	-	00:13	09:02	
Service A – Jezzine		28.21	43.07	71.28	00:45		
2C	Service OUT	RZ 1	-	-	-	09:47	Section 2
Km to run before RZ 2		28.21	43.07	71.28	-		
3	Bqosta	-	27.11	27.11	00:40	10:27	
SS3	BQOSTA 2	11.41	-	-	00:03	10:30	
4	Barti	-	9.19	20.60	00:30	11:00	
SS4	BARTI 2	16,80	-	-	00:03	11:03	
4A	Regrouping & Technical Zone -	-	6.77	23.57	00:33	11:36	
4B	Regrouping OUT / Service IN	-	-	-	00:13	11:49	
Service B – Jezzine		28.21	43.07	71.28	00:45		
4C	Service OUT	RZ 2	-	-	-	12:34	Section 3
Km to run before FINISH		29.41	43.25	72.66	-		
5	Bqosta	-	27.11	27.11	00:40	13:14	
SS5	BQOSTA 3	11.41	-	-	00:03	13:17	
6	Barti	-	9.19	20.60	00:30	13:47	
SS6	BARTI 3	16.80	-	-	00:03	13:50	
7	SSS Jezzine	-	6.77	23.57	00:33	14:23	
SS7	SSS JEZZINE	1.20	-	-	00:03	14:26	
7A	Holding Area IN – Jezzine -	-	0.18	1.38	00:04	14:30	
	FINISH PODIUM	-	-	-	-	15:15	
Rally Totals		85.83	129.39	215.22		39.88%	

Sunday, July 17th, 2022: Dawn: 05:11hrs.
 Sunrise: 05:39hrs
 Sunset: 19:49hrs

Appendix 2 – Reconnaissance schedule

APPLIES TO ALL COMPETITORS	
Starts: Saturday, July 16th, 2022, at 07:30hrs Ends: Saturday, July 16th, 2022, at 15:30hrs	
SS 1 / 3 / 5 SS 2 / 4 / 6 SSS 7	BQOSTA - KFARFALOUS BARTI - HAITOURA JEZZINE SQUARE

Appendix 3 – Competitors Relations Officer(s)

The Competitors' Relations Officer(s) are:



CRO
Michel Schucry



CRO
Youssef Kousseifi

The Competitors' Relations Officers will be easily identified by their pink shirts with "C.R.O." in white letters weaved on his right.

PRESENCE DURING THE RALLY:

When the Secretariat is opened, a planning of the places and schedule where he will be on duties will be established. This planning will be post on the Official Notice Board and will include:

- Presence at Documentation and Scrutineering
- At the Secretariat of the Meeting.
- At the Start of the Rally.
- At the Regrouping halts.
- At the Service Parks.
- Near the Parc Fermé(s) and the Finish (the latter being dependent on the rally timetable).

FUNCTION:

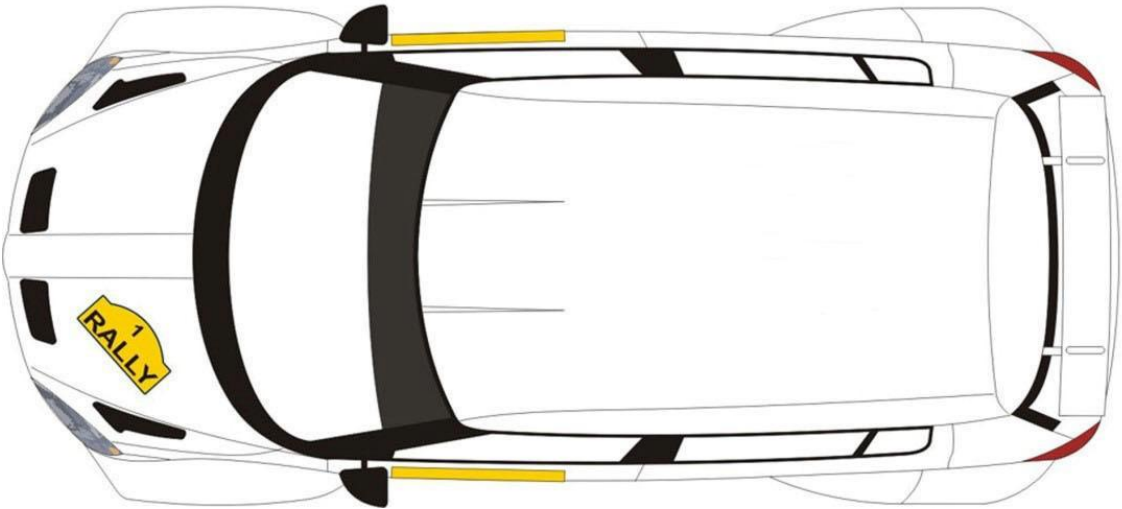
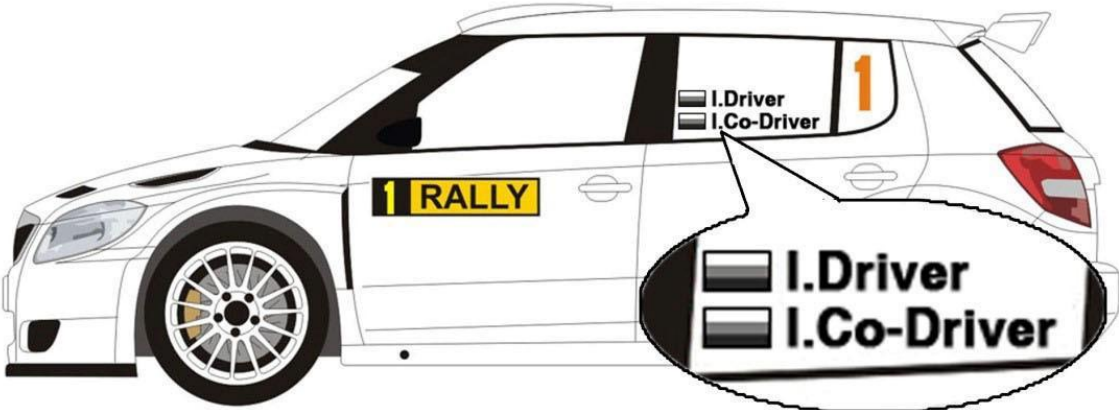
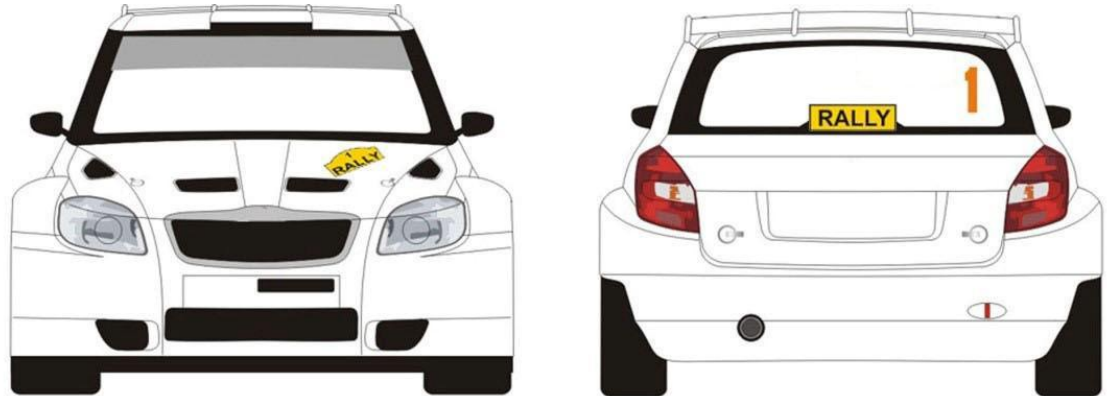
The principal duty of the CRO is to provide information or clarifications in connection with the regulations

MEDIATION:

- Avoid forwarding questions to the stewards which could be solved satisfactorily by a clear explanation except for protests (for example, clarify disputes over time, with the assistance of the timekeepers).
- The Competitor's Relations Officer shall refrain from saying anything or taking any action which might give rise to protests.

Appendix 4 - Decals and Supplementary Advertising

List and positioning of advertising



Appendix 5 – Extracts from FIA Appendix L

1. Helmets (Appendix L, Chapter III, Art. 1)

All drivers must wear crash helmets which meet one of the standards listed in FIA Technical List N° 25.

When the use of an FHR, according to Article 3 below, is mandatory, only helmets homologated to one of the following FIA standards are authorised:

- 8858-2002 or 8858-2010 (Technical List N°41),
- 8859 (Technical List N°49),
- 8860-2004 or 8860-2010 (Technical List N°33),
- 8860-2018 or 8860-2018-ABP (Technical List N°69)

2. Flame-resistant clothing (Appendix L, Chapter III, Art. 2)

On special stages of rallies, all drivers and co-drivers must wear overalls as well as gloves (optional for co-drivers), long underwear, a balaclava, socks, and shoes homologated to the FIA 8856-2000 standard (*Technical List N°27*) or FIA 8856-2018 standard (*Technical List No 74*).

Users must ensure that garments are not too tight, as this reduces the level of protection.

Embroidery sewn directly onto the overalls shall be stitched onto the outermost layer only, for better heat insulation. Backing material of badges and thread used for affixing them to the overalls must be flameproof. The stitching of badges can go through all the layers, provided that the thread is flameproof and compliant with ISO 15025.

Printing or transfers on drivers' clothing must be carried out only by the manufacturer of the product and must not reduce the performance of the suit as defined in the 8856-2000 or 8856-2018 standard. (See Appendix 1 of the FIA 8856-2000 Standard or Appendix F of the FIA 8856-2018 Standard for detailed requirements and instructions for use). Any FIA-approved 8856-2018 garment customised using printing or transfers must be accompanied by a certificate from the manufacturer.

Biometric Devices (Appendix L, Chapter III, Art. 2.1)

Drivers may wear a device to collect biometric data during racing.

- If the biometric device is integrated into a protective garment homologated to FIA Standard 8856, the garment shall be homologated to FIA Standards 8856 and 8868-2018.
- If the biometric device is a stand-alone device, then the device must be homologated to FIA Standard 8868-2018 only. This device must be worn in addition to the garment homologated to FIA Standard 8856.

3. Frontal Head Restraint (FHR, Appendix L, Chapter III, Art. 3)

The wearing of any device intended to protect the head or neck and attached to the helmet is prohibited unless the device has been homologated according to the FIA 8858 standard. Homologated FHR systems are listed in the FIA Technical List N° 29.

The minimum reclined HANS collar angle shall be 60° from the horizontal.

Any padding used between the driver and the HANS® yoke must not be more than 15 mm thick when the driver is seated in the car fully equipped with the harness tightened. The padding must be covered by a flameproof material in conformity with the standard ISO 15025 and the padding must not be wider than 8 mm on each side of the HANS® yoke.

FHR systems must be worn only with FIA-approved items according to the following chart:

Helmet	Tether System (tether end fitting and helmet anchorage)
FIA 8860 (Technical List N°33 & 69) FIA 8858 (Technical List N°41) FIA 8859 (Technical List N°49)	FIA 8858 (Technical List N°29)

For more details when the device used is the HANS®, the “Guide for the Use of HANS® in international motor sport”, published by the FIA Institute for Motor Sport Safety, can be found on www.fia.com, under the heading FIA Sport - Regulations - Drivers’ Equipment.

4. Safety Belts

Drivers must be properly restrained in their seat by safety belts in conformity with the FIA technical regulations for the vehicle concerned, at all times during a competition when it is mobile on a circuit, pit lane, special stage or competition course.

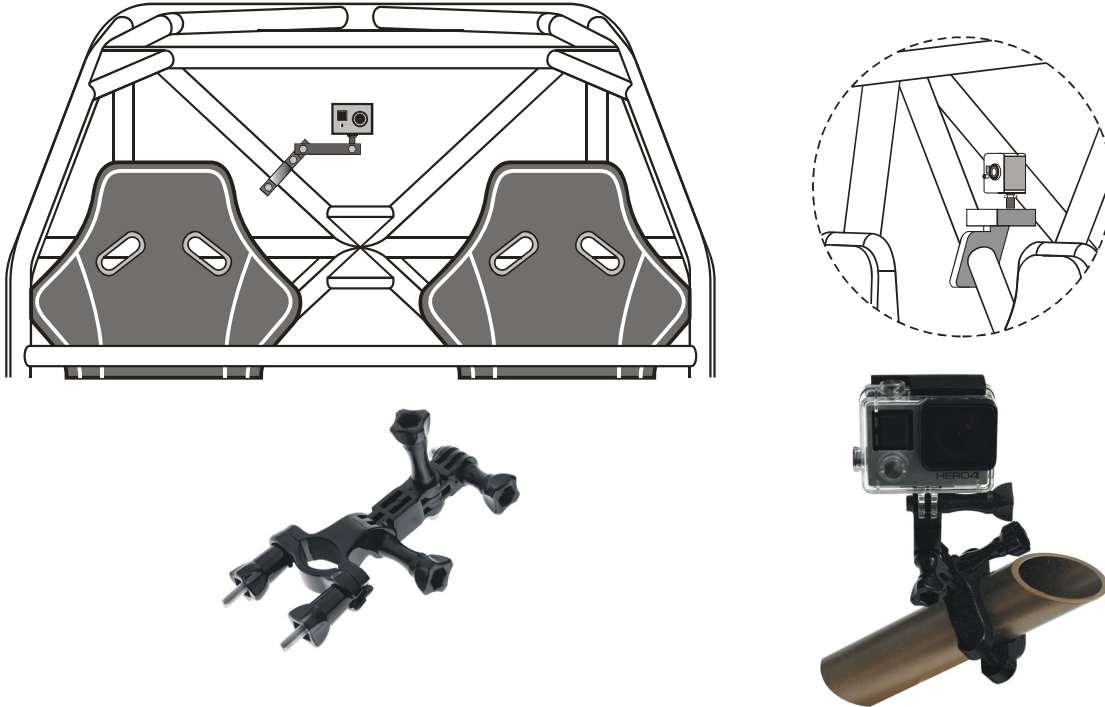
Wearing of jewellery (Appendix L, Chapter III, Art. 5)

The wearing of jewellery in the form of body piercing or metal neck chains is prohibited during the competition and may therefore be checked before the start.

Appendix 6 – Mounting of on-board Cameras

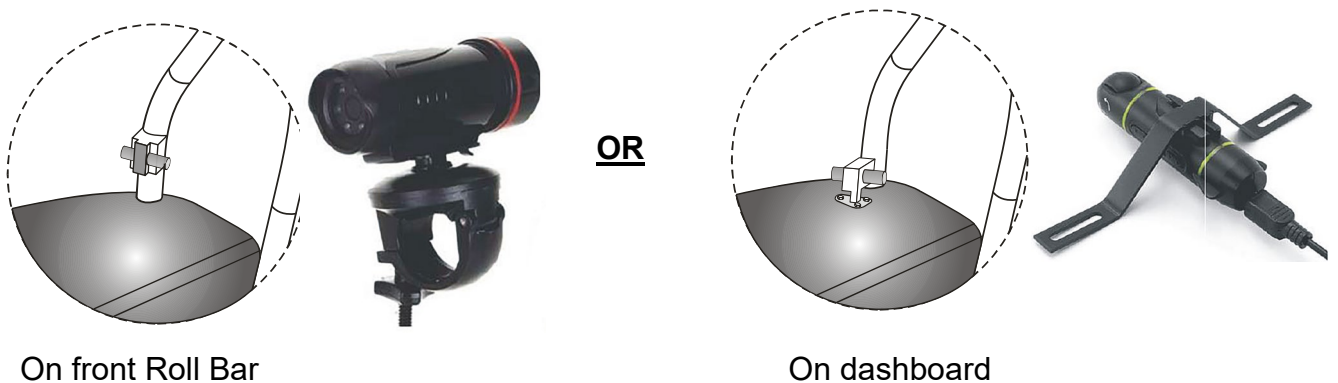
1- Interior Mounts

The mounting should be of a rigid type, placed in the centre behind the back of the seats.



Handlebar Mount

For pencil type cameras, they can be mounted on the front roll bar/windscreen pillar, the control unit should be fixed on the floor pan behind the seats. (Similar to battery fixation)



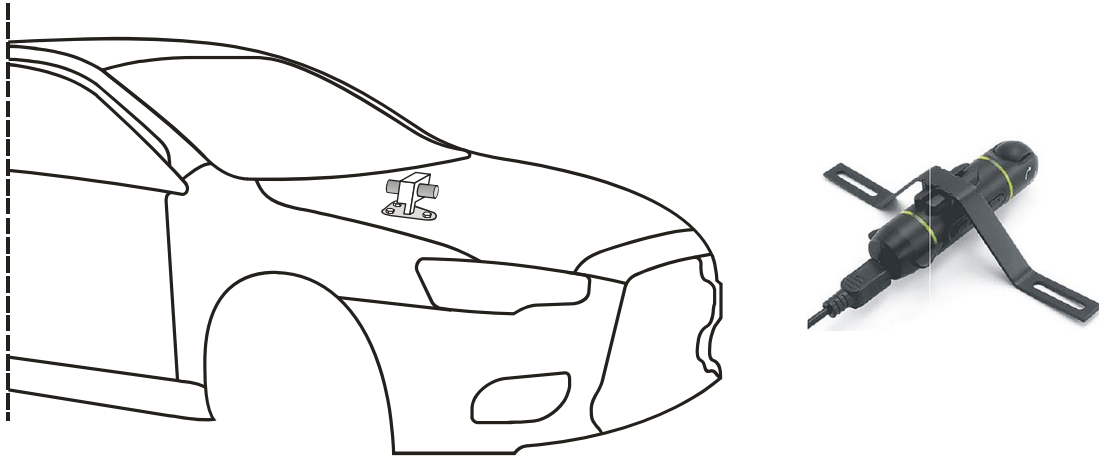
On front Roll Bar

On dashboard

2- External Mounts

A support bracket of 40mm. fixed by screws with a reinforcement plate of minimum 3mm thick and a surface of 120 cm² should be used

IMPORTANT: The reinforcement plate should be placed from inside the body work in order to reinforce the support area.



3- Prohibited Mounts



Appendix 7 – Start Light Sequence

In accordance with Article 48.2 of the 2022 FIA Regional Rally Sporting Regulations The start of the special stages will be carried out by an electronic sequential countdown light system as described in the below figure.

